

GRAFOS[®] steel

Master Touch

Data Sheet

CKI.85R15.F-TI

Tastiera 85 tasti rotondi ø85 montaggio fronte pannello con con track-ball inox
Front mounting 85 round ø85 keys keyboard with stainless steel track-ball

PATENTED
clickINOX 

IP	65 (54 with TI)
IH	10
Cycles	3.000.000
Operating temp.	-10° to +70°C (0° to +50°C with TI)
Storage temp.	-25° to +85°C (-25° to +55°C with TI)

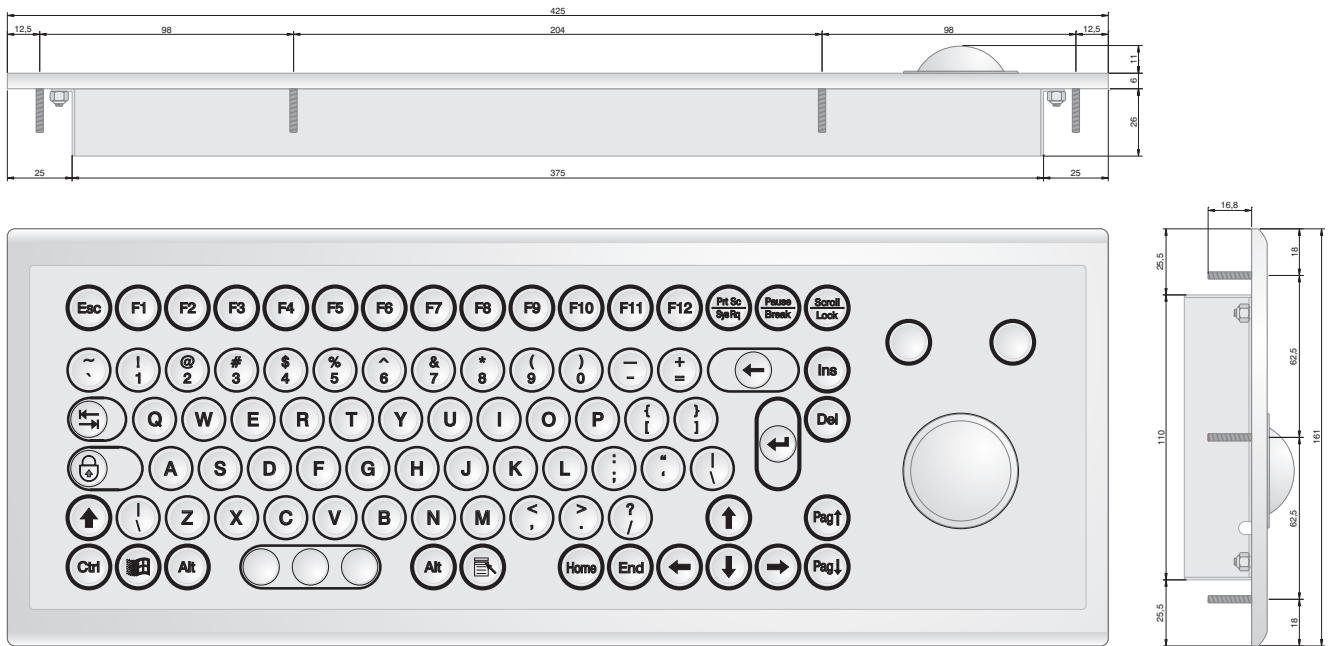


Quick web link

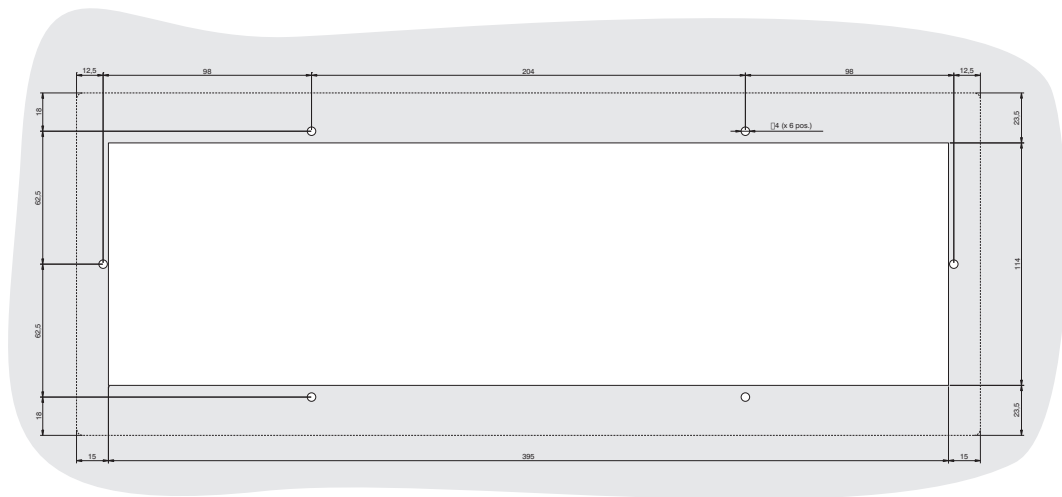


www.grafossteel.it

Disegni *Drawings*



Cutout consigliato *Suggested Cut-out*



Codifica per l'ordine *Order Info*

CKI.85R15.F-TI- **y** -S- **z**

Es. CKI.85R15.F-TI-M-S-US

Marcatura Simboli / *Marking Type*
S - Serigrafia / *Silkscreen printing*

y	Connettore <i>Connector</i>	Lingua/layout <i>Language layout</i>	z
	M - MINIDIN PS2	US: QWERTY USA	
	U - USB	IT: QWERTY Italy	
		DE: QWERTY Germany	
		FR: AZERTY France	
		ES: Spain	